

Jacuzzi J-365

Seating Capacity	6-7 Adults
Dimensions	84" x 91" x 38" (213.5 cm x 231 cm x 96.5 cm); For Complete Dimensions, See page 80
Dry Weight	868 lbs (394 kg)
Filled Weight (Spa Volume)	5,038 lbs (2,285 kg)
Filled Weight (Average Fill)	4,538 lbs (2,058 kg)
Water Capacity (Spa Volume)	500 US gallons (1,893 Liters)
Water Capacity (Average Fill)	440 US gallons (1,666 Liters)
Electronic Controls	Solid state electronic controls with LCD readout, programmable temperature, filtration, and heat cycles
Pump 1	North America (60 Hz): 1-Speed, 4.8 HP brake, 2.5 HP continuous, 56 Frame Export (50 Hz):.....1-Speed, 2.0 HP continuous
Pump 2	North America (60 Hz): 1-Speed, 4.8 HP brake, 2.5 HP continuous, 56 Frame Export (50 Hz):.....1-Speed, 2.0 HP continuous
Circulation Pump	Yes, 8-Hour
Heater	North America (60 Hz): 5.5kW High Flow Export (50 Hz).....2.7kW High Flow
Total PowerPro Jets	44
Seat A Jets	4 PowerPro FX, 2 PowerPro FX Large Rotational
Seat B Jets	1 PowerPro FX Large
Seat C Jets	2 PowerPro NX2, 2 PowerPro FX, 3 PowerPro MX2
Seat D Jets	1 PowerPro FX Large Rotational
Seat E Jets	10 PowerPro FX, 2 PowerPro FX Rotational
Seat F Jets	2 PowerPro NX2, 2 PowerPro FX Rotational, 2 PowerPro FX, 2 PowerPro FX Large
Footwell (G)	8 PowerPro FX Small, 1 PowerPro FX
Massage Selectors	2
Air Controls	4, On/Off rocker style
Water Management System	Two 60 ft ² filter cartridges; filter 1 on 8-hour circulation pump; filter 2 on jets pump 1; Factory installed CLEARRAY® Water Purification System Export (50 Hz):.....Factory installed CLEARRAY® Water Purification System
LED Lighting	One underwater light with 4 color modes, one colored waterfall lights, cup holders and backlit pillow insert with logo
Synthetic Cabinet Colors	Silverwood, Roasted Chestnut, Brazilian Teak
Acrylic Colors	Platinum, Silver Pearl, Sahara, Opal, Desert Sand, Monaco, Midnight, Caribbean Surf, Sandstone, Porcelain
Headrests	4
Waterfalls	One independent flow rate (on or off) adjustment; powered by the circulation pump
Electrical Requirements:	North America (60 Hz): 240 VAC@40A, 50A, or 60A Export (50 Hz): 230-240 VAC@20A, 30A, or 40A, or suitably rated circuit breaker to comply with local electrical codes. Certain countries may require dual power inputs; two GFCI RCD Breakers are required for this configuration.
Warranty*	North America (60 Hz): 10 Years Shell, 7 Years Shell Surface, 5 Years Plumbing Component Leaks, 5 Years Equipment and Controls, 5 Years Cabinet, 2 Years Jets, 2 Years Lights, 1 Year Stereo; Export (50 Hz): 10 Years Shell, 7 Years Shell Surface, 2 Years Plumbing Component Leaks, 2 Years Equipment and Controls, 2 Years Cabinet, 2 Years Jets, 2 Years Lights, 1 Year Stereo
Special Features (Optional)	ProLink™ remote monitoring system
Audio System (Optional)	BLUEWAVE® Spa Stereo System (MP3/iPod®/FM/Bluetooth/Aux compatible) with four speakers and subwoofer, auxiliary headphone jack, USB port connections and standard wireless RF remote



*(See Warranty Document for Specific Details)

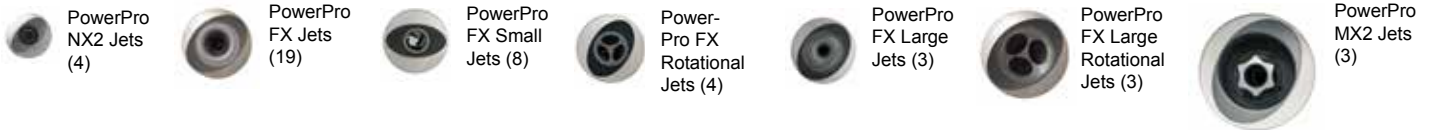
Dimensions/Specifications are Subject to Change Without Notice

Jacuzzi J-365

Massage Selector/Air Control Diagram



44 Total Jets



Spa Operation Subject to Change without Notice

Seat Depths

A = 26.50" (67.47 cm)
B = 25.25" (64.14 cm)
C = 25.25" (64.14 cm)
D = 23.75" (60.33 cm)
E = 28.25" (71.76 cm)

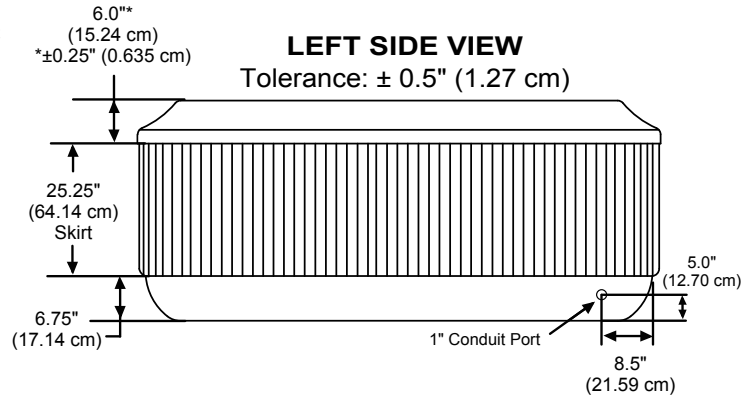
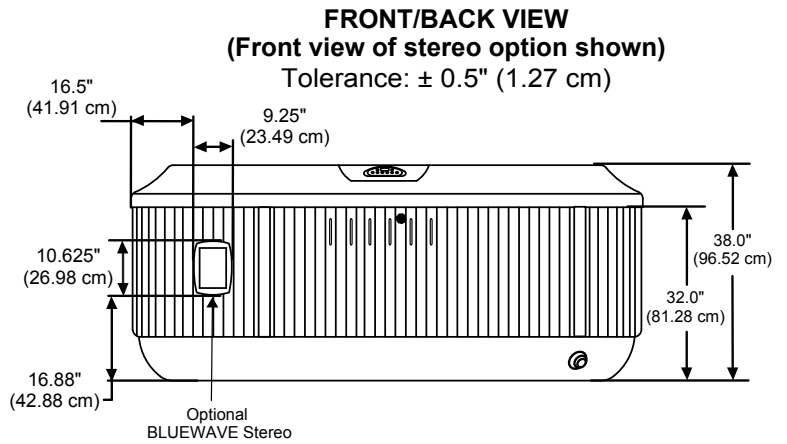
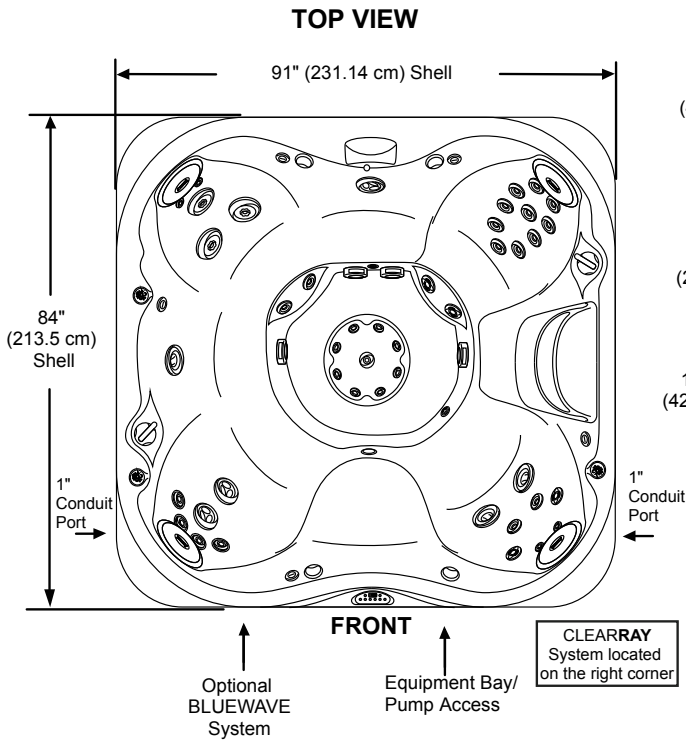
F = 27.25" (69.22 cm)
G = 17.50" (44.45 cm)
H = 33.75" (85.73 cm)

Listed dimensions represent distance from top of acrylic to lowest point in seat. Tolerance $\pm 0.5"$ (1.27 cm).

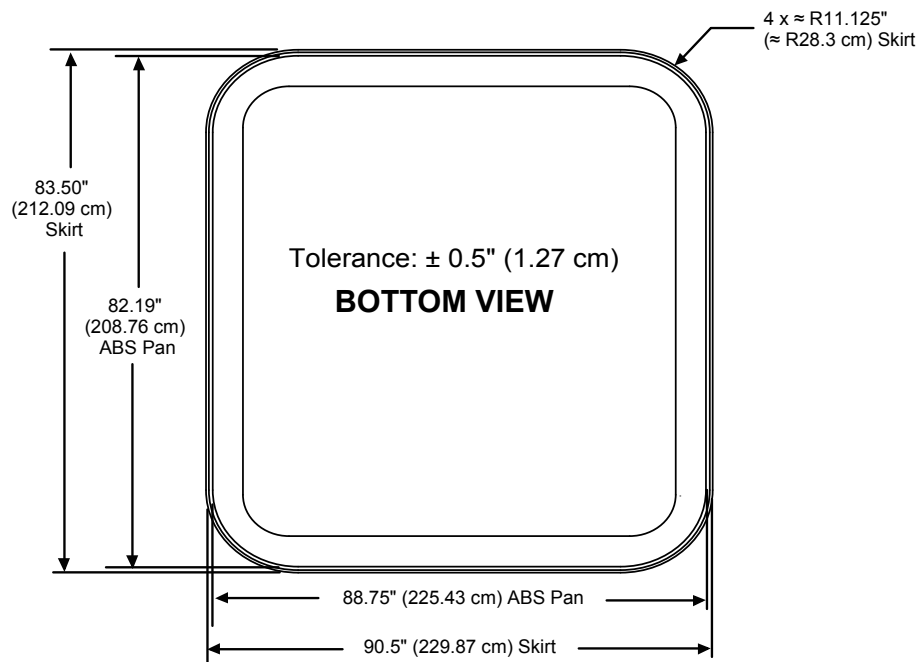


Dimensions/Specifications are Subject to Change Without Notice

Jacuzzi J-365



IMPORTANT! Always measure each hot tub for exact dimensions **BEFORE** designing its foundational support and/or decking.



Dimensions/specifications subject to change without notice. Tolerance: $\pm 0.5"$ (1.27 cm)