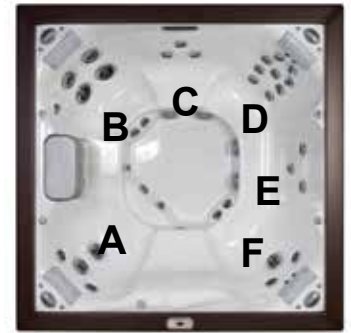


# Jacuzzi J-LX

Seating Capacity.....	6-7
Dimensions .....	84" x 84" x 36" (213.5 cm x 213.5 cm x 91.5 cm); <b>For complete dimensions, see page 79</b>
Dry Weight.....	876 lbs (397 kg)
Filled Weight (Spa Volume) .....	5,046 lbs (2,289 kg)
Filled Weight (Average Fill).....	4,129 lbs (1,873 kg)
Water Capacity (Spa Volume) ...	500 US gallons (1,893 Liters)
Water Capacity (Average Fill) ...	390 US gallons (1,476 Liters)
Electronic Controls .....	Solid state electronic controls with LED readout, programmable temperature, filtration, and heat cycles
Pump 1.....	North America (60 Hz): 2-Speed, 4.5 HP brake, 2.5 HP continuous, 56 Frame <b>Export (50 Hz): ..... 2-Speed, 2.0 HP continuous</b>
Pump 2.....	North America (60 Hz): 1-Speed, 4.8 HP brake, 2.5 HP continuous, 56 Frame <b>Export (50 Hz): ..... 1-Speed, 2.0 HP continuous</b>
Circulation Pump.....	Yes, 8-hour
Total PowerPro Jets .....	36
Seat A Jets .....	2 PowerPro RX, 2 PowerPro FX Large Rotational
Seat B Jets .....	2 PowerPro FX Large Rotational, 2 PowerPro MX2, 2 PowerPro FX
Seat C Jets .....	3 PowerPro FX
Seat D Jets .....	2 PowerPro NX2, 9 PowerPro FX
Seat E Jets .....	3 PowerPro FX
Seat F Jets.....	2 PowerPro NX2, 2 PowerPro RX, 1 PowerPro FX Large Rotational, 2 PowerPro FX
Massage Selector .....	1
Air Controls.....	4, On/Off rocker switch air controller
Water Management System.....	Two 60 ft <sup>2</sup> Filter cartridges; filter 1 on 8-hour circulation pump; filter 2 on jets pump 1; Factory installed CLEARRAY® Water Purification System <b>Export (50 Hz): ..... Factory installed CLEARRAY® Water Purification System</b>
LED Lighting .....	One underwater light with 4 color modes, one colored waterfall lights, eight dome lights
Cabinet .....	Roasted Chestnut, Brazilian Teak
Acrylic Colors .....	Platinum, Silver Pearl, Sahara, Opal, Desert Sand, Monaco, Midnight, Caribbean Surf, Sandstone, Porcelain
Headrests .....	4
Waterfalls .....	One; Independent flow rate (on or off) adjustment powered by pump 1
Electrical Requirements: .....	North America (60 Hz): 240 VAC@40A, 50A, or 60A <b>Export (50 Hz): 230-240 VAC@20A, 30A, or 40A, or suitably rated circuit breaker to comply with local electrical codes. Certain countries may require dual power inputs; two GFCI RCD breakers are required for this configuration.</b>
Warranty*.....	North America (60 Hz): 10 Years Shell, 7 Years Shell Surface, 5 Years for Plumbing Component Leaks, 5 Years Equipment and Controls, 5 Years Cabinet, 2 Years Jets, 2 Years Lights, 1 Year Stereo; <b>Export (50 Hz): 10 Years Shell, 7 Years Shell Surface, 2 Years Plumbing Component Leaks, 2 Years Equipment and Controls, 2 Years Cabinet, 2 Years Jets, 2 Years Lights, 1 Year Stereo</b>
Audio System (Optional).....	BLUEWAVE® Spa Stereo System (MP3/iPod®/FM/Bluetooth/Aux compatible) with four speakers, auxiliary headphone jack, USB port connections and standard wireless RF remote



\*(See Warranty Document for Specific Details)

Dimensions/Specifications are Subject to Change Without Notice

# Jacuzzi J-LX

## Massage Selector/Air Control Diagram

**Massage Selector 1:**  
Directs Jets Pump 1  
Output Between Jet  
Groups A and B

**Air Control 2:**  
Opens/Closes  
Air Inlet to Jet  
Group A

**Air Control 1:**  
Opens/Closes  
Air Inlet to Jet  
Group C



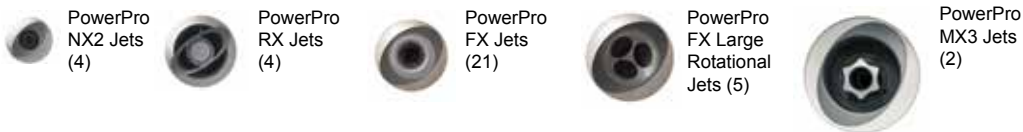
**Air Control 3:**  
Opens/Closes  
Air Inlet to Jet  
Group B

**Air Control 4:**  
Opens/Closes  
Air Inlet to Jet  
Group D

Waterfall Valve

Group C and D Jets  
are always on Pump 2  
is running.

### 36 Total Jets



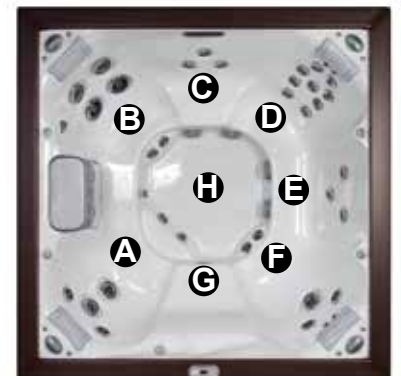
Spa Operation Subject to Change without Notice

## Seat Depths

**A = 28.50" (72.39 cm)**  
**B = 28.50" (72.39 cm)**  
**C = 23.50" (59.69 cm)**  
**D = 29.50" (74.93 cm)**  
**E = 28.00" (71.12 cm)**

**F = 29.25" (74.29 cm)**  
**G = 20.50" (52.07 cm)**  
**H = 33.25" (84.45 cm)**

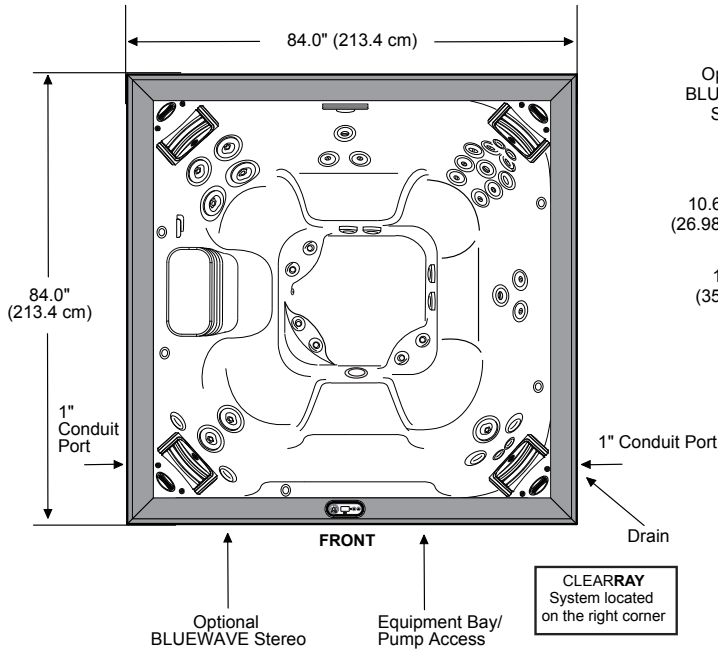
Listed dimensions  
represent distance  
from top of the deck  
to lowest point in seat.  
Tolerance  $\pm 0.5"$   
(1.27 cm).



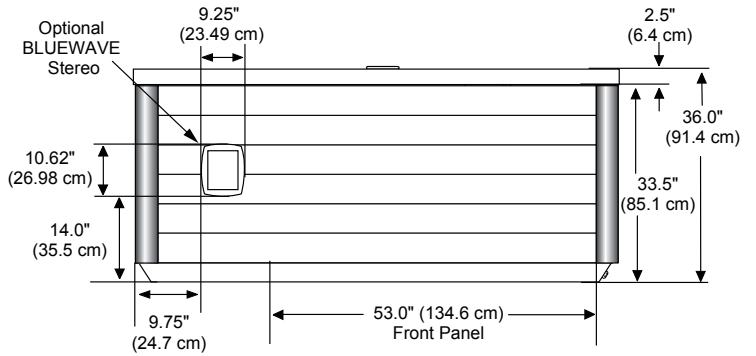
Dimensions/Specifications are Subject to Change Without Notice

# Jacuzzi J-LX

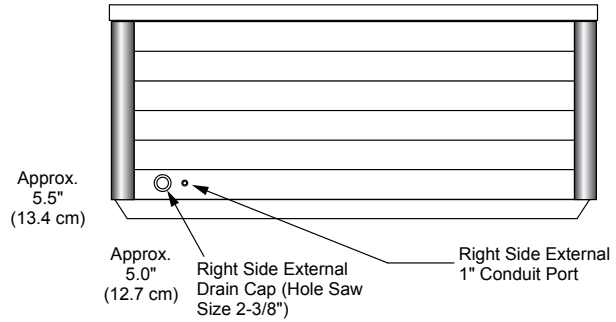
**TOP VIEW**



**FRONT/BACK SIDE VIEW  
(Front view of stereo option shown)**



**RIGHT SIDE VIEW**



**IMPORTANT! Always measure each hot tub for exact dimensions BEFORE designing its foundational support and/or decking.**

